

J
A
P
A
N

2022



APRIL 28TH UNTIL JULY 31ST 2022

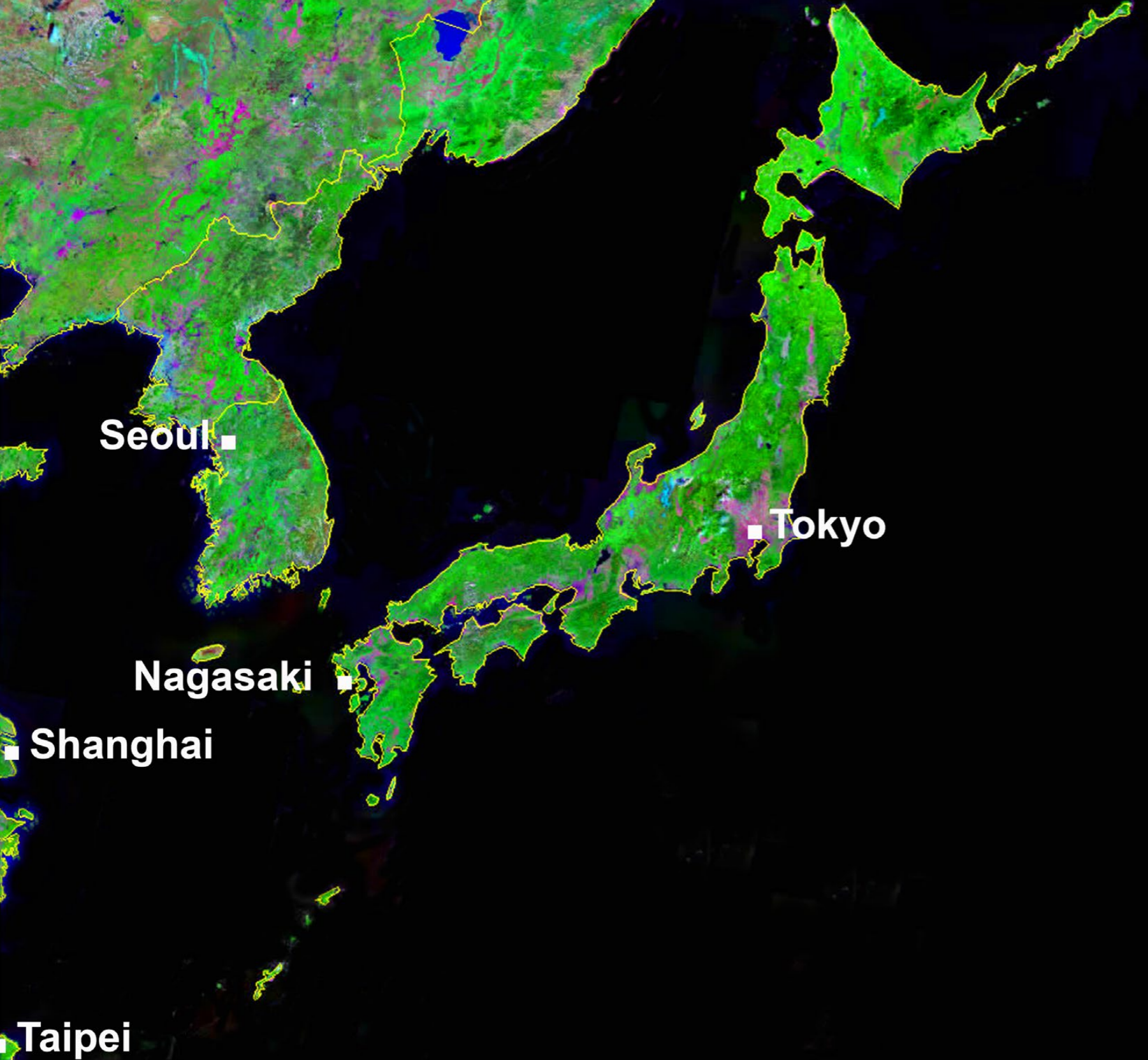
ARCHITECTURE & DESIGN: FUTURE FOR JAPAN 2022

EUROPEAN CULTURAL CENTRE - WHO WE ARE

The European Cultural Centre [ECC] is a cultural organisation founded by the Dutch artist Rene Rietmeyer and originates back to 2002. Today we are an ever-expanding group of diverse people who would like to make a positive difference. We care about humanity and about the overall state and direction of our world. With this in mind, doing nothing is not an option.

Our aim is to create cultural institutions, creating exhibitions, publications and organize many other cultural activities. The ECC has therefore established an international network of cultural organisations, all with a non-profit objective, and we continue to establish further Satellites in very different parts of the world.

The ECC has today established centres in Italy, Spain, France, Belgium, Russia, South Africa, India, the USA and Japan. The European Cultural Centre headquarter is in the Netherlands.



ECC-JAPAN

To date, the ECC has organised and hosted over 50 contemporary art, design and architecture exhibitions worldwide, as well as hundreds of meetings, workshops, symposia and other cultural events. In addition, we publish books, catalogues, documentational videos and offer specific educational programs with our ECC-Academy.

In order to further expand our activities, we established the ECC-Japan. Although our first project in Japan was a Contemporary Art Symposium about "Existence" in Tokyo 2008, the main focus of the ECC-Japan until now has been to present Japanese Artists, Designers and Architects in our Venice Biennale exhibitions.

The exhibition "Architecture & Design: Future for Japan 2022" is the first architecture exhibition organized by the ECC-Japan. This exhibition will be held in Nagasaki. In addition, we plan to have this exhibition traveling to more cities in Japan, probably Osaka, Kyoto and/or Tokyo.



JAPAN - NAGASAKI

Until the 1850s, Japan experienced hundreds of years of isolation, until that time the only foreign relations from Japan were with China, Korea and the Netherlands. The Dutch had their trading post on Dejima, a small artificial island in the harbor of Nagasaki.

For hundreds of years Nagasaki was the only major entrance port for foreign products and knowledge. As a result, Nagasaki became the centre for access to information on Western technology and science.

Until today the effects of Japan's long period of national isolation can be felt. Being aware of this, the Japanese government is therefore continuing to try and stimulate an opening up to the west, without losing their own culture.

As a consequence, we were asked by the Nagasaki Museum of History & Culture to organize an exhibition dedicated to new ideas in Architecture & Design. Ideas that can have a positive influence upon Japan.

In Japan, Nagasaki is still seen as the window through which it is to discover interesting new knowledge, new ideas in western developments.



JAPAN 2022

THE NAGASAKI EXHIBITION

In addition to our Venice Biennale exhibitions and our 2020 architecture exhibition in Moscow, we will organize an architecture exhibition in Chicago and Miami as well as the Exhibition “Architecture & Design: future for Japan 2022” in Nagasaki, which will run from April 28th until July 31st 2022.

ECC exhibitions are always non-profit and will show works, concepts, research results and ideas, the future, in an extraordinary combination. We hope that all presentations in the Japan 2022 exhibition will be of interest to Japanese Designers, Architects, Developers and all other architecture & design professionals.

In Japan 2022 we will present an international group of approx. 60 Architects and Designers with different cultural backgrounds and who are in different stages of their career, i.e. established Architects and Designers next to Architects and Designers whose works might be less known. A deciding factor is their individual approach.

The Nagasaki Museum of History & Culture is one of the few museums in Japan devoted to the theme of “overseas exchange”. Our more than 3 month-long exhibition will therefore attract a large and significant audience of professionals and all other interested visitors from around the world but mainly from Japan.

Our exhibition in Nagasaki is focused on the latest achievements of each participating Architect and Designer, and the exhibition will consist of a wide variety of media: not only photos, objects, plans and models, but site-specific installations and videos as well.

In order to stimulate cooperation and dialogue, between Japan and the west, the exhibition spaces will operate actively as a meeting point between Architects, Designers, professionals, students, educational institutions and all other interested individuals.



NAGASAKI - OUR VENUE

The Nagasaki Museum of History & Culture was built by the famous Japanese Architect Kisho Kurokawa. He stated: "The main theme of this design proposal, placing the historical museum in the urban environment, is a harmony with the modern age. While the exterior of the main building resembles a warehouse, the use of contemporary materials and technologies merges the history and the modern age. Functionality and economical efficiency of the design are achieved through its simplicity, compactness and clear circulation routes for visitors."

The Museum holds an extensive collection of historical documents, art and craftworks that tell the story of Nagasaki and how western knowledge entered Japan. In addition, part of the Nagasaki Magistrate's Office, a local agency of the central government in the Edo period, has been faithfully reconstructed based on historical materials, recreating the atmosphere of feudal Japan.

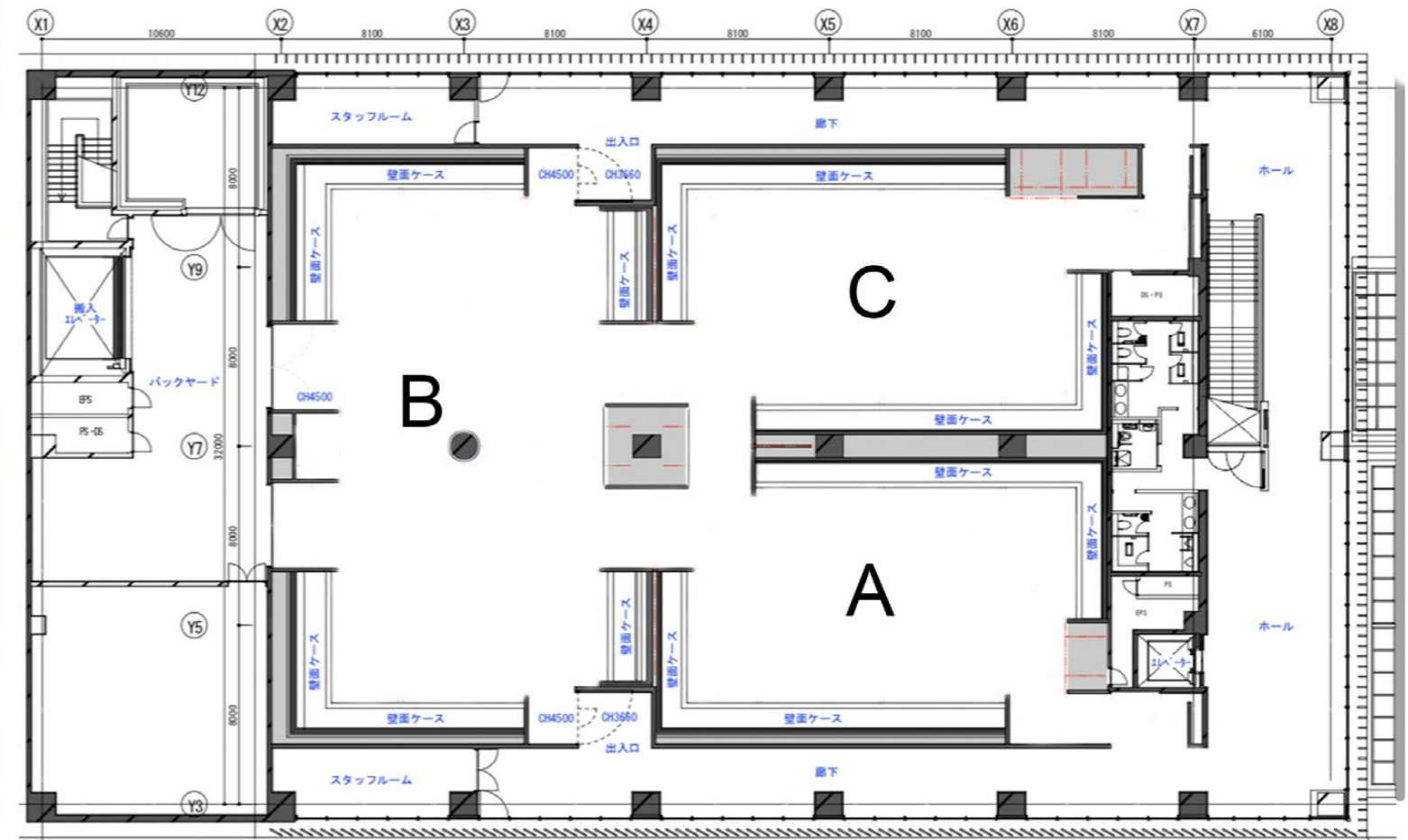


OUR VENUE

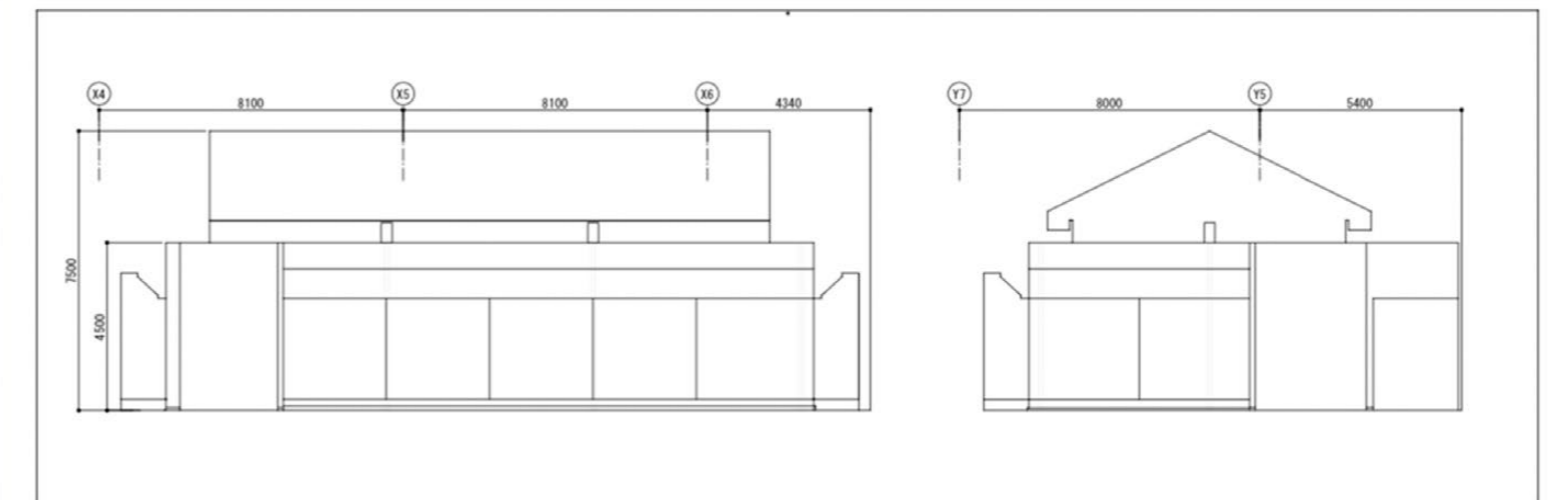
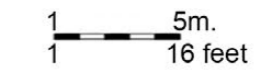
Throughout much of the Edo period (1602-1868), Nagasaki was Japan's only city with a direct connection to the outside world. For this reason, to control the lucrative trade and to monopolize the flow of information to and from the outside world, Nagasaki was placed under direct shogunal rule.

Although Nagasaki did not have a castle, the magistrate had an extensive set of offices and living quarters, a fortified mansion.

This mansion is today one of the museum's most impressive features, it is the reconstruction and authentic replica of the former Magistrate's Office. This beautiful wing of the museum is done in traditional Japanese style reminiscent of past centuries. In addition to a grand and spacious tatami room where the magistrate received dignitaries, there is also an interrogation room and court where smugglers and other criminals were dealt with.



Total exhibition floor space approx. 1000 m². - 11000 ft²



ECC organisers walking with museum staff from space A to B



PARTICIPATION BENEFITS

If there is a good place to present your work to the right audience in order to make professional contacts in Japan, then Nagasaki is the place to be. Due to its historical relevance the exhibition will be very well noticed by the Japanese professionals and press. In addition, we will do our best to make this exhibition travel to other cities such as Osaka, Kyoto and/or Tokyo.

Our exhibition will bring together not only generally interested people, but also Architects, Designers, Developers, potential clients, innovative companies and future business partners, as well as all kinds of other people who can be helpful for your own future.

We additionally organise presentations for companies and institutions, meetings and symposia, cocktails and receptions for participants and business partners. During our exhibition our team will, on your behalf, educate our visitors about your presentation and will connect them with you, so they can make direct contact and arrangements.

Yes, participating in our events means that expenses have to be made. However, participants receive a lot in return and in addition, most of our participants find themselves additional sponsors, such as educational and governmental institutions, manufacturers, companies as well as private sponsors.

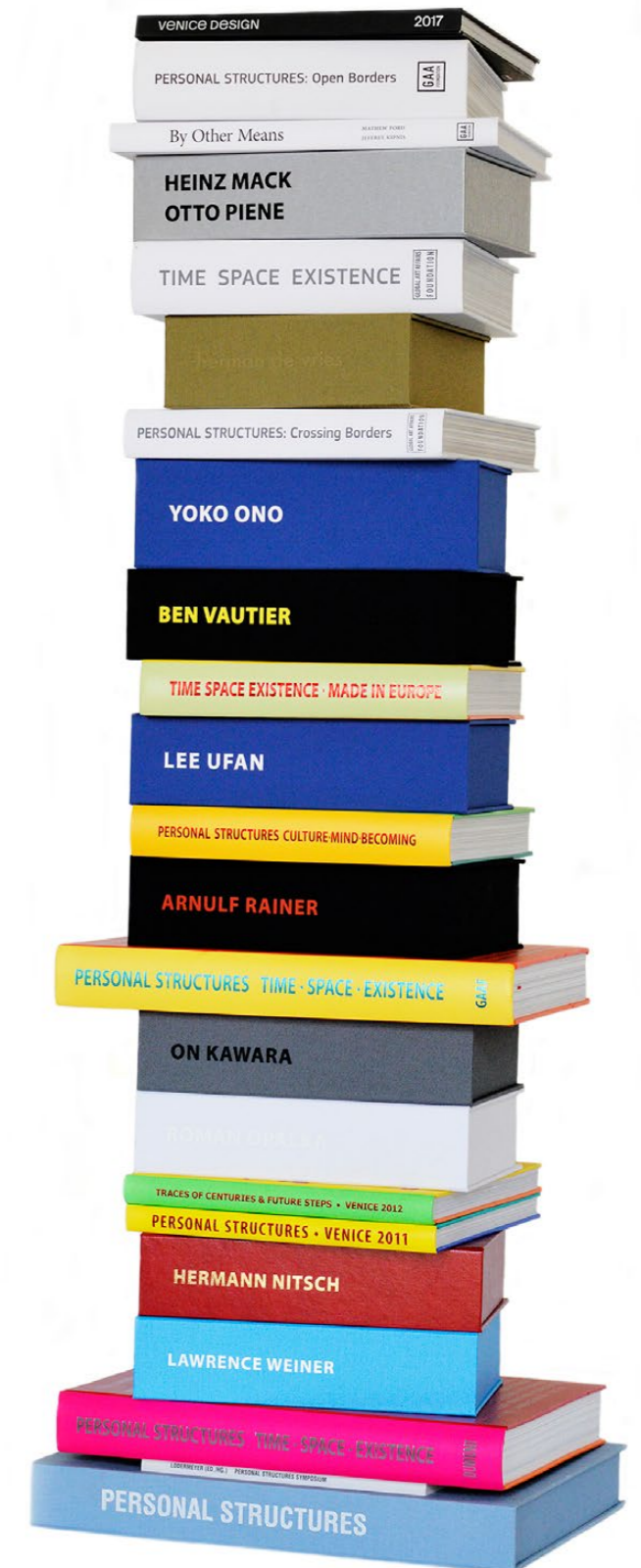
WE HAVE WORKED WITH

Vito Acconci USA
Anahuac University MEX
Ariel University ISR
Emre Arolat TUR
American University Dubai
Tatiana Bilbao MEX
Marlon Blackwell USA
Andrey Bokov RUS
Denise Scott Brown USA
Centre Culturel Canadien
Chinese University of Hong Kong
Deakin University AUS
Odile Decq FRA
Design Futures Council USA
Balkrishna Doshi IND
Europe Union
Curt Fentress USA
Gerber Architekten DEU
Peter Eisenman USA
Japan Foundation JPN
Georgia Tech USA
GMP DEU
Government of Ivory Coast

Government of Kiribati
Government of Kuwait
Government of Mongolia
Government of Mozambique
Government of Pakistan
Government of the Philippines
Government of the Seychelles
Bjarke Ingels DNK
Istanbul Bilgi University TUR
Arata Isozaki JPN
IUAV University ITA
Kengo Kuma JPN
La Biennale di Venezia ITA
Daniel Libeskind USA
Loughborough University GBR
Ludwig Museum DEU
Fumihiko Maki JPN
Manchester School of Architecture GBR
Richard Meier USA
Mies v.d. Rohe Foundation ESP
MIT USA
Toshiko Mori JPN
MVRDV NLD

Nanjing University CHN
National Museum of Singapore
New Museum USA
Nickl & Partner DEU
Alireza Razavi FRA
Francois Roche FRA
Monash University AUS
Moshe Safdie CAN
Schulz und Schulz DEU
Nikken Sekkei JPN
SEK Universidad Internacional ECU
SOM USA
Stanford University USA
Syracuse University USA
Széchenyi István University HUN
Masaharu Takasaki JPN
TONGJI University CHN
Tsinghua University CHN
TU Delft NLD
UNESCO
Universidad Católica del Norte CHL
Universidad Iberoamericana MEX
University of Arkansas USA

University of Auckland NZL
University at Buffalo USA
University of Cincinnati USA
University College Dublin IRL
University of Hong Kong
University of Houston USA
University of Melbourne AUS
University of Murcia ESP
University of Oklahoma USA
University of the Philippines
University of New South Wales AUS
University of North Carolina USA
University of Salford GBR
University of Sydney AUS
University of Texas USA
Victoria University of Wellington NZL
Jean-Paul Viguier FRA
WOHA SGP
WY-TO SGP





SPONSORS & PARTNERS

It is our goal to be always as transparent and to stay as independent as possible. We are not a wealthy organisation and therefore making each exhibition the best success possible is always a financial challenge.

Staying independent in regards to the contents, quality and all other aspects related to our exhibition comes with a price.

Unfortunately, those who benefit most from our exhibition, are also those who have to contribute to cover all expenses. We have therefore to finance our activities mainly with the support of those Architects, Designers and Institutions which participate in the exhibition itself.

Of course, you can always bring your own additional sponsors to cover all expenses for your presentation in Japan 2022. Your sponsors will then also enjoy several benefits in return.

This enables you to very freely create your presentation according to your own ideas and to have full control over the information you present and the way that you want the public to see you. We will do our maximum best to make this event a success for all parties involved.



SPONSOR BENEFITS

Exhibition sponsors of the European Cultural Centre can get prominent exposure and acknowledgement throughout the entire exhibition period and even longer. On behalf of the exhibiting Architects & Designers, we can make direct arrangements with potential sponsors, cultural and governmental institutions, companies as well as with private sponsors.

We can provide your sponsors with sponsorship opportunities and we can develop plans together with them to meet their objectives, budget and expectations.

Among all services that our organisation offers for sponsors are: organising exclusive events, presentations from companies and institutions, meetings and symposia. Our events team will gladly organise for your sponsors: cocktails and receptions, lunches and dinners.

All your events can be made unique according to your wishes and are an effective tool to connect with clients, employees, business partners or friends and to be recognized on a larger scale.

In return for your support, we would like to know what we can do for you.



JAPAN 2022 - SYMPOSIA

We understand that in order to bring people together, organising exhibitions might not be enough.

To stimulate direct communication between Architects, Designers, professionals and all others who might be interested, the European Cultural Centre organises lectures, public debates and symposia for various fields of thought and subjects. Until now we have realised more than twenty international symposia in Germany, Amsterdam, Venice, Tokyo and New York.

Although details still have to be decided upon, the day after the opening of our exhibition "Architecture & Design: future for Japan 2022", the ECC-Japan will on 29 April 2022 organize a symposium at the Nagasaki Museum.

If you are interested in this symposium, or in case you would like to organise a symposium or workshop, please speak with us, we are sure that we are interested and can discuss all options with you.



THE ECC-JAPAN AWARD

Out of all participants in the Japan 2022 Exhibition, the ECC-Japan will select an Architect, a Designer and an Institution as the winner of the ECC-Japan 2022 Award in their section.

The winners of the ECC-Japan Awards are automatically shortlisted for the next European Cultural Centre Architecture, Design or best educational Institution Award.

Every year, the European Cultural Centre awards an Artist, Designer or Architect and an educational Institution for their work concept and execution thereof.

In the past the ECC-Award has been given to Roman Opalka (Art 2011), Arata Isozaki (Architecture 2012), Arnulf Rainer (Art 2013), University of Houston (Architecture 2014), Yoko Ono (Art 2015), Karim Rashid (Design 2016), Denise Scott Brown (Architecture 2016), Oki Sato (Design 2017) Joseph Kosuth (Art 2017), Ying Gao (Design 2018), North Carolina State University (Architecture 2018), Odile Decq (Architecture 2018), Piero Castiglioni (Design 2019), Hermann Nitsch (Art 2019) and the Willem de Kooning Academy (Art 2019).



PRESS RELATIONS

The Press and Communications Department from the European Cultural Centre as well as from the Nagasaki Museum itself, will accommodate your requests and your specific PR goals as best as possible.

We send press releases and invitations to our exhibition to over 2000 members of the international press. Our ECC Press department produces a press kit featuring sponsorship credits which can include your corporate statement.

In addition to our own promotional activities, it will be our pleasure to collaborate with your office or PR representatives to best promote your target goals.

We are very well aware that reaching out to a large public is essential to make sure that you and we are seen and heard.



當時全盛美人揃
扇屋内
花

哥磨筆

CATALOGUE & ONLINE PRESENCE

For our Japan exhibition we will produce 5.000 hard copy exhibition catalogues. Many of them are distributed during our exhibitions in Nagasaki, but you can also purchase them in over hundred book shops or online via Amazon as well.

As a participant, you can receive a fair amount of our catalogues and other promotional material to distribute as gifts to your friends, clients and business relations for free.

Your sponsor can be present with their logo on our special sponsor pages in that catalogue and on our websites. Main sponsors can receive additional prominent credits in the catalogue's colophon, the foreword and on several other occasions.

The European Cultural Centre website offers information about the ECC program to audiences reaching far beyond the exhibition visiting public. Our 6 weekly newsletter is subscribed by over 65.000 people and over 1.000.000 people visit our websites each year; logos there can link clients directly to your own website.



CONTACT OUR TEAM

ECC-Japan

Yuki Asami:
yuki@ecc-japan.eu

Valeria Romagnini:
valeria@europeanculturalcentre.eu

ECC-Italy

Rachele de Stefano: rachele@ecc-italy.eu
Lucia Pedrana: lucia@ecc-italy.eu

ECC-USA

Eva Schmiedleitner: info@ecc-usa.eu

ECC-Worldwide

Nina Comini: nina@ecc-worldwide.eu

ECC-Global

Rene Rietmeyer: rene@ecc-global.eu

ECC-Japan.eu

EuropeanCulturalCentre.eu

Responsible for the ECC is an international team of more than 80 mainly young and sincere people. Seven people from this team are currently working for ECC-Japan to make the Japan 2022 exhibition a success. We hope to have the opportunity to start a conversation, to work with you and to present your work in Japan 2022. We look forward to hearing from you. We are open to all suggestions, no matter how unusual they may seem.